

## U Bolt RUB

Group: 1211

### Application

For pipeline systems in industrial and residential buildings and sprinkler installations meeting the VdS standards.

For horizontal and vertical pipelines, the U-Bolts are applied as Fixed Points and as Guiding Supports.

### Scope of delivery

Similar to the DIN 3570 standard.

Four hexagon nuts and four washers included in loose form.

### Installation

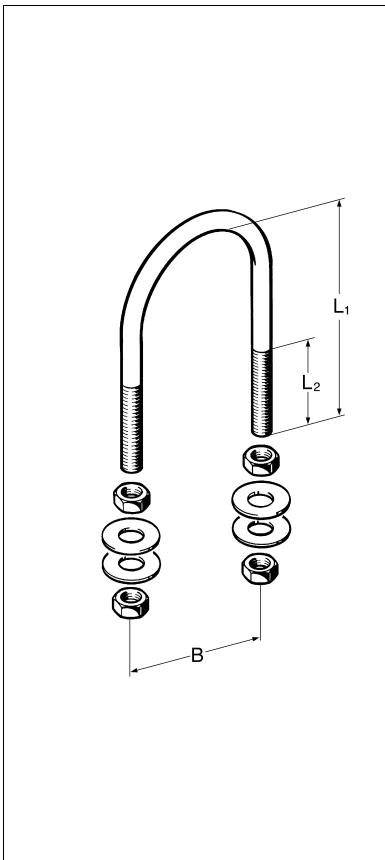
When used as Guided Support, nuts have to be arranged and fixed on both sides, at the top and at the bottom of the profile. Thereby the pipe should remain flexible. When used as Fixed Point the admissible loads of the connecting elements shouldn't exceed the bending loads of the U-bolt.

### Technical Data

Material: Steel, electro-galvanised

### Approvals / Conformity

The U Bolt NB 8" with M12 thread obtained a separate VdS Approval (No. G4810047).



Type	NB	B [mm]	L <sub>1</sub> [mm]	L <sub>2</sub> [mm]	Thread	W [kg]	Quantity [pack]	Part number
21.3	1/2"	30	45	30	M8	0.08	50	102162
26.9	3/4"	35	60	40	M8	0.09	50	102773
33.7	1"	42	67	40	M8	0.09	50	102782
42.4	1 1/4"	51	76	40	M8	0.10	50	102791
48.3	1 1/2"	57	82	40	M8	0.11	50	102807
60.3	2"	71	95	45	M10	0.21	50	102816
76.1	2 1/2"	87	111	45	M10	0.23	50	102825
88.9	3"	100	123	45	M10	0.24	50	102834
114.3	4"	126	157	55	M12	0.39	25	102171
108		121	151	55	M12	0.38	50	102843
139.7	5"	152	180	55	M12	0.43	25	102180
133		146	172	55	M12	0.42	25	102852
159		172	197	55	M12	0.46	25	102861
168.3	6"	180	207	55	M12	0.46	10	102199
219.1	8"	233	267	55	M12	0.56	10	102870