

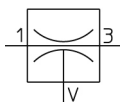
ZH-A, Vacuum Ejector, Box Style/Body Ported Style, Metric

ZH13DSA-08-10-10

Datablad

General series information

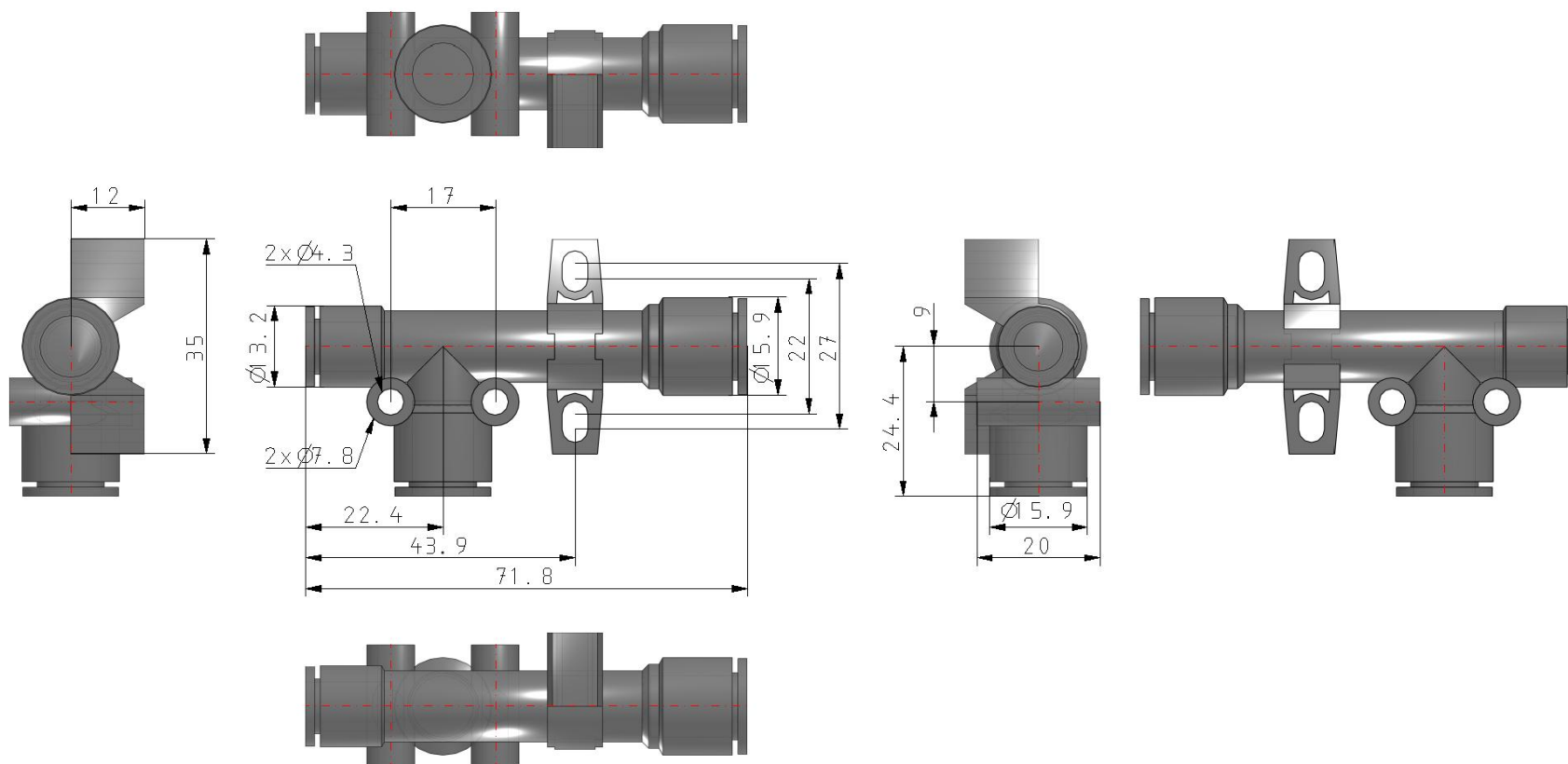
- One-touch fittings: Ø 6, 8, 10 and 12 mm. Screw-in connections: 1/8" to 1/2" (Rc/G).



Vacuum ejector

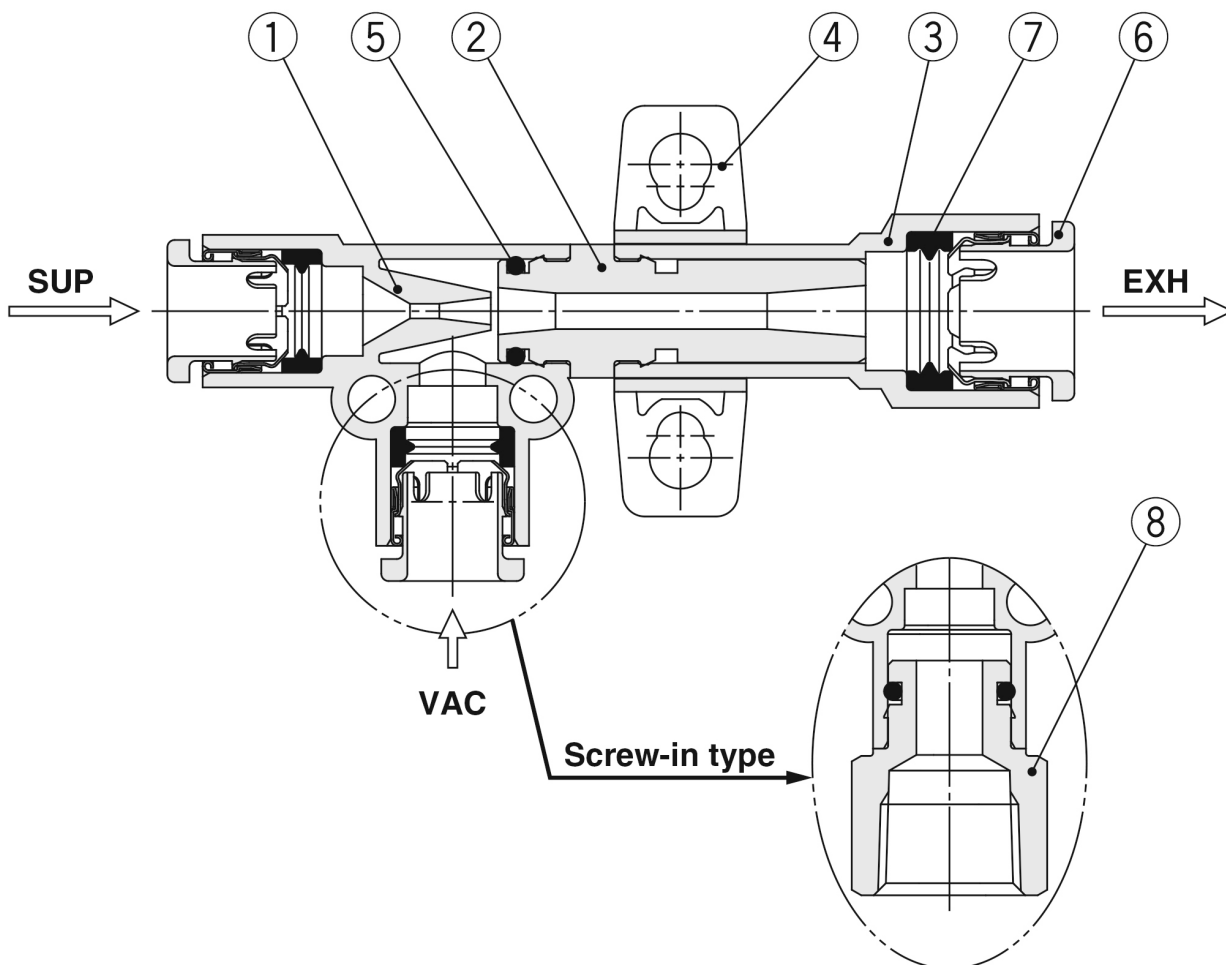
Standardspecifikationer

Accessories	W/ Bracket - W/o Silencer (or None in the Case of Box Style)
Nozzle Diameter	13 (Ø 1.3 mm)
Model	D (Body Ported Style)
Port SUP.	08 (One-touch Fitting Ø8 mm)
Port EXH.	10 (One-touch Fitting Ø10)
Vacuum Pressure	S [-90 kPa; -89 kPa (Box Style)]
Port VAC.	10 (One-touch Fitting Ø10)
Trykmedie	Air
Trykmediet maksimumtemperatur	50 °C
Trykmediets minimumstemperatur	-5 °C
Maksimal omgivelsestemperatur	50 °C
Mindste omgivelsestemperatur	-5 °C
Pneumatisk indgangtilslutning	One-touch Ø 8
Pneumatisk udgangsforbindelse	One-touch Ø 10
Flow rate	40 l/min (ANR)
Brugbart rørmateriale	Nylon; Polyurethane; Soft nylon
Pneumatisk vakuumentilslutning	One-touch Ø 10
Maks. vakuum	-90 kPa
Nominel dysestørrelse [mm]	1.3 mm
Vægt	0.015 Kg



Konstruktion

Body ported type



Component Parts

No.	Description	Material	Note
1	Body	PBT	
2	Diffuser	PPS	Type S: Brown, Type L: Black
3	Adapter	PBT	
4	Standard bracket	PBT	Detachable (Accessory)
5	O-ring	NBR	Grease applied
6	Cassette	—	
7	Seal	NBR	Grease applied
8	Screw-in stud	Brass	Electroless nickel plating

Yderligere oplysninger

Katalog

[ZH-C_EU.pdf](#)

Operation manuals

[OM_ZH_OM00401EN-B.pdf](#)